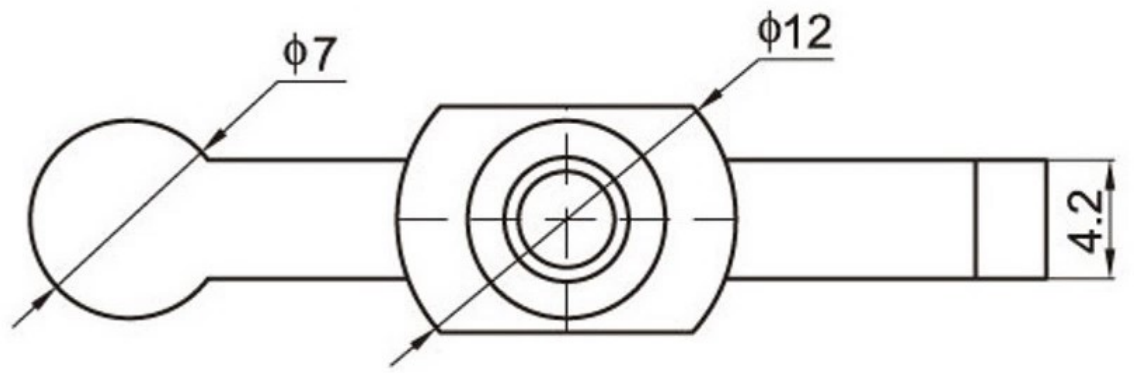
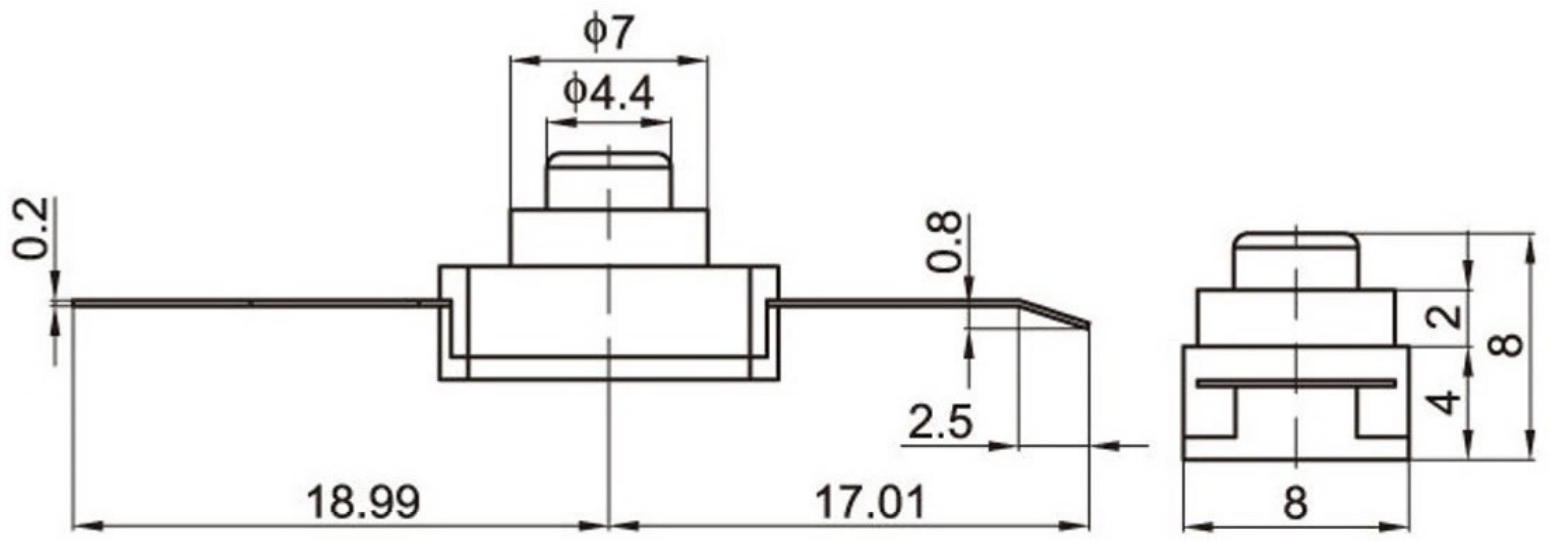


SCHEMATIC (NON-SHORTING)



注：“*”□表示关键尺寸(3个).

| | | | | | | | | | |
|-----|-----------|--------------------|------|----------------|------------------------------|-------|-----------|--------------------------|-----------|
| 8 | | | | | TOLERANCE | | | | |
| 7 | | | | | UNLESS SPECIFIED | | | | |
| 6 | | | | | WITHIN 1.5mm : ±0.1mm | A | 2012-8-13 | 初版 | |
| 5 | SPRING | SUS | 1 | NATURAL | OVER 1.5mm : ±0.2mm | ISSUE | DATE | DESCRIPTIONS OF REVISION | |
| 4 | CAM STICK | SUS | 1 | NATURAL | TITLE : VERTICAL PUSH SWITCH | | | UNIT : mm | DRWG NO.: |
| 3 | CASE | PA66/BRASS STRIP | 1 | GREY/Ag PLATED | MODEL: | | | SCALE: 5:1 | DWN. |
| 2 | COVER | PA66 | 1 | BLACK | 东莞市溪榜电子有限公司 | | | | 2012-8-13 |
| 1 | KNOB | PA66/PBS C5210R-EH | 1 | WHITE/Ag CLAD | | | | CHK'D | |
| NO. | PARTS | MATERIALS | Q'TY | | | | | APPD. | |