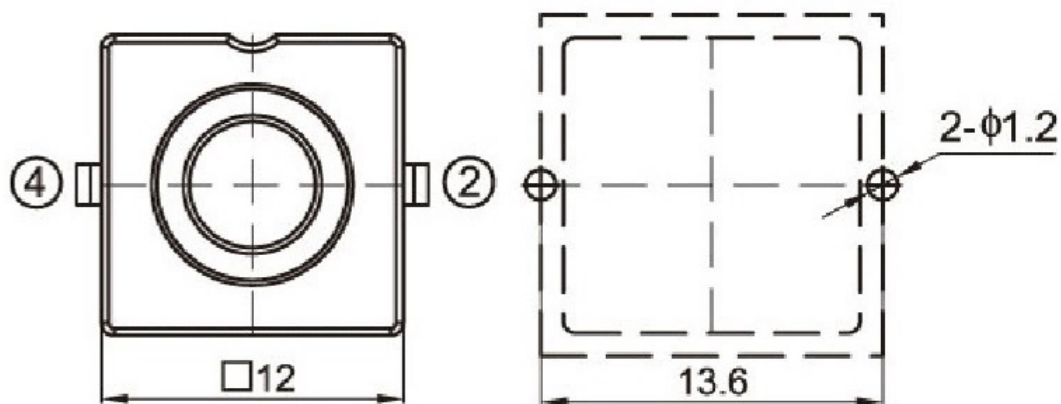


ON-OFF



印制线路板
P.C.B

注："*"□表示关键尺寸(3个).

NO.	PARTS	MATERIALS	Q'TY	TOLERANCE UNLESS SPECIFIED				
8								
7								
6				WITHIN 1.5mm : ±0.1mm	A	2012-8-13	初版	
5	SPRING	SUS	1	NATURAL	ISSUE	DATE	DESCRIPTIONS OF REVISION	APPD.
4	CAM STICK	SUS	1	NATURAL	TITLE : VERTICAL PUSH SWITCH			UNIT : mm
3	CASE	PA66/BRASS STRIP	1	GREY/Ag PLATED	MODEL:			DRWG NO.:
2	COVER	PA66	1	BLACK	SCALE: 5:1			DWN.
1	KNOB	PA66/PBS C5210R-EH	1	WHITE/Ag CLAD	东莞市溪榜电子有限公司			2012-8-13
								CHK'D
							APPD.	