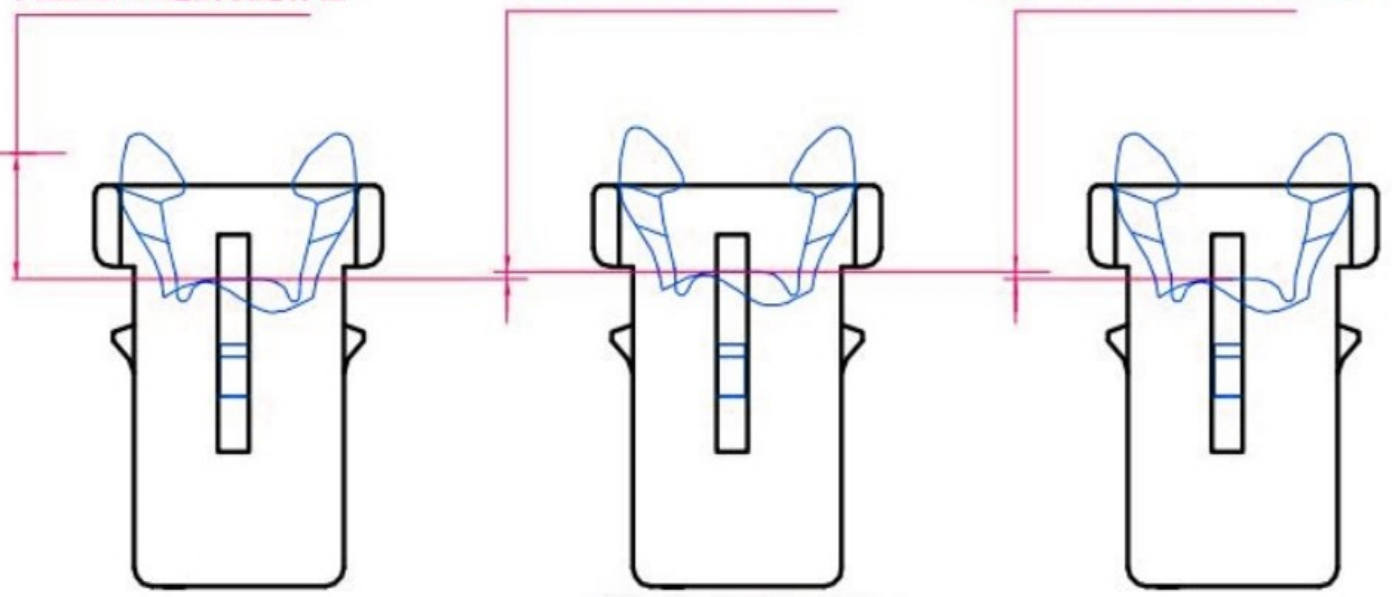


下压5.6mm 达到锁定行程

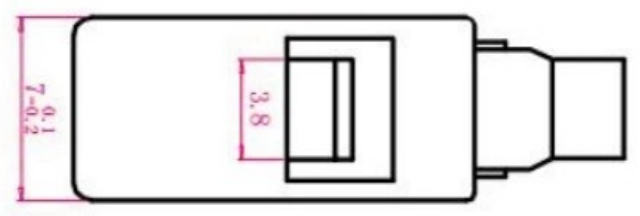
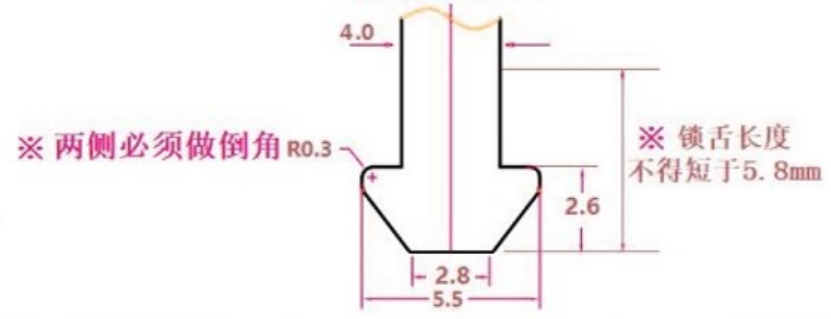
回弹1.1mm 呈锁住状态

继续下压1.1mm 即达到开锁行程



外壳: POM
 按键: PA66
 弹簧: SUS304
 钩针: SUS304
 脱钩力: 20N

锁舌参考尺寸



TITLE	DOOR LATCH SWITCH	DRAWN		TOLERANCE OTHERWISE UNLESS SPECIFIED	8					
PART NO.		CHECKED		UP TO 5	±0.2	6				
DRAW NO.	DL1	APPROVED		ABOVE 5 ~ 30	±0.3	5				
SCALE: 2:1	UNIT: mm	DATE:		ABOVE 30 ~ 50	±0.4	4				
				ABOVE 50	±0.5	3	SPRING	SUS	1 NI PLATED	
				ANGLE	±3'	2	HOUSING	POM	1 BLACK	
							1	SLIDER	PA12	1 BLACK
							NO.	PARTS	MATERIAL	QTY. FINISHING