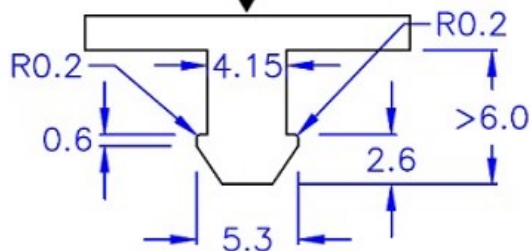


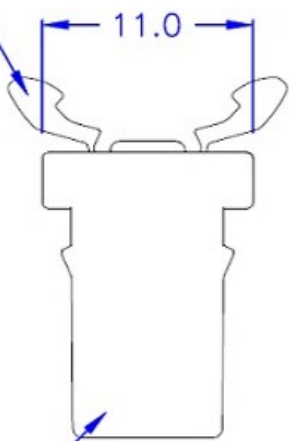
Push PIN

- ◎ 常溫耐久承受力 1.0kg
- ◎ 配合件的彈簧推力需 > 250gf

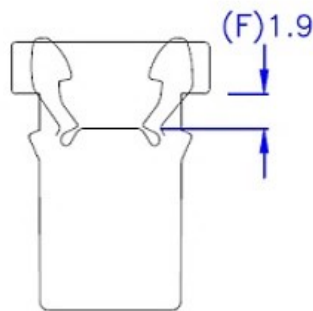
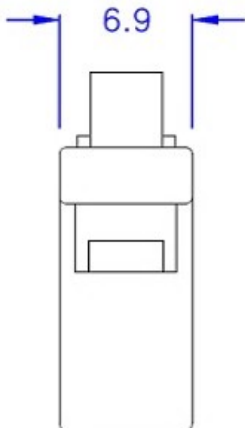
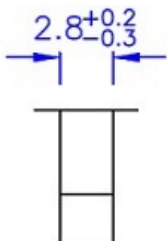
PUSH



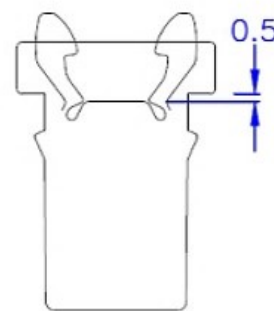
Material: N66



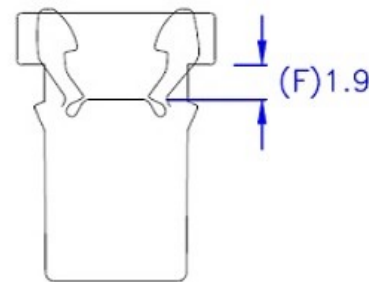
Material: PC



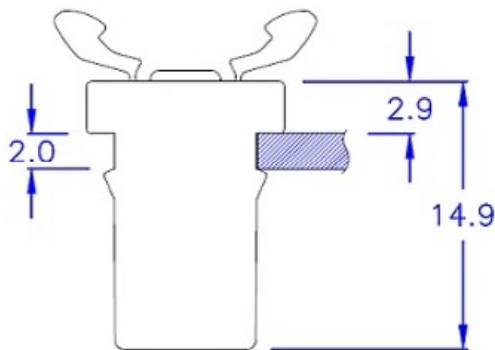
Maximum Push-IN Position  
夾子欲下壓產生扣住功能時，行程距離卡板頂端距離 F為1.9mm。



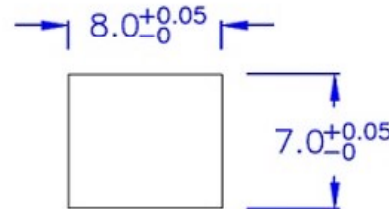
CLOSE Position LOCK  
夾子扣住時夾子頂端位置距離卡板頂端0.5mm



Maximum Push-out Position UNLOCK  
夾子欲下壓產生解除扣住功能時，行程距離卡板頂端距離 F為1.9mm。



◎ HOLE IN CHASSIS:



◎ CHASSIS THICKNESS: 2.0+0/-0.05 mm

TITLE	DOOR LATCH SWITCH	DRAWN		TOLERANCE OTHERWISE UNLESS SPECIFIED	8				
PART NO.		CHECKED		UP TO 5	±0.2	6			
DRAW NO.	DL1	APPROVED		ABOVE 5 ~ 30	±0.3	5			
SCALE: 2:1	UNIT: mm	DATE:		ABOVE 30 ~ 50	±0.4	4			
				ABOVE 50	±0.5	3	SPRING	SUS	1 NI PLATED
				ANGLE	±3'	2	HOUSING	POM	1 BLACK
东莞市溪榜电子有限公司						1	SLIDER	PA12	1 BLACK
				NO.	PARTS	MATERIAL	QTY.	FINISHING	