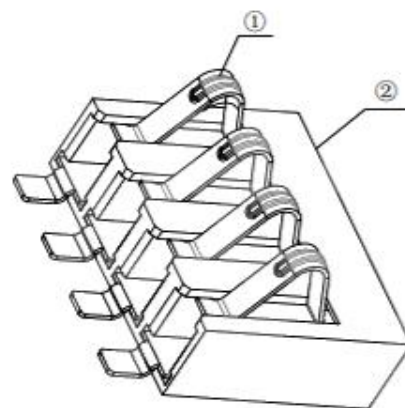
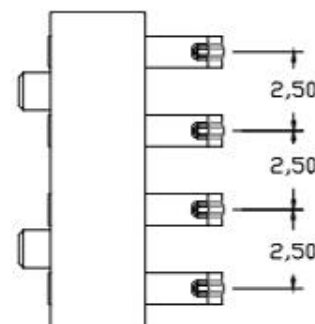
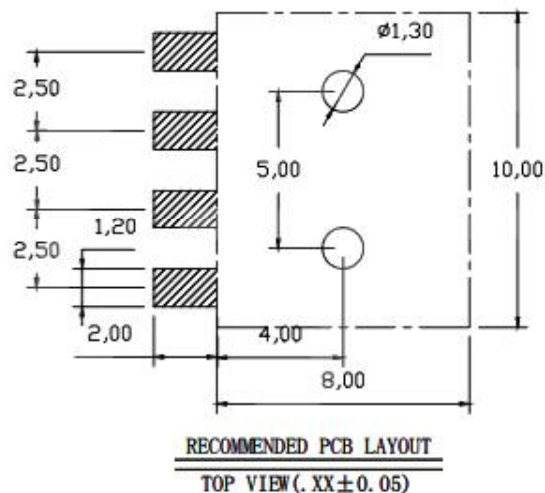
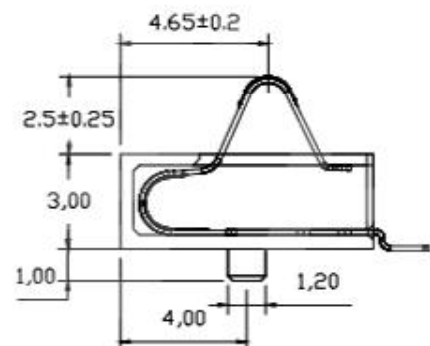
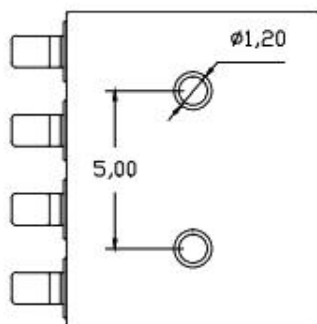
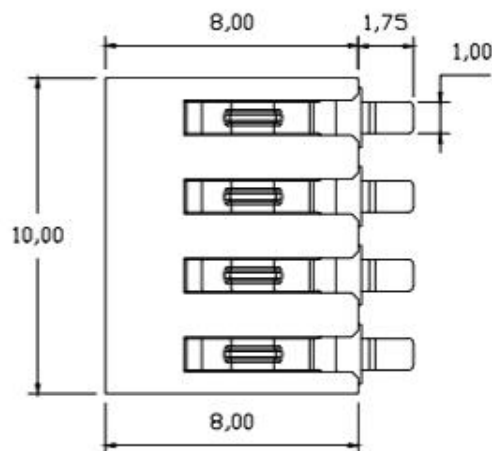


性能:

额定电流: 2.0A  
 额定电压: 12V  
 耐电压: 500V  
 接触电阻: 30mΩ  
 绝缘电阻: 500MΩ  
 工作温度: -40℃~+85℃  
 塑件(材质): LCP  
 接触点(材质): 磷铜, 触点镀金3U"  
 使用寿命: 3000次以上



PART NAME		CONNECTOR		DRAWING	Y.C,ZHANG	DWG.No.	SBICL
PART NO.		XB-BC4P25H55D		CHECK	G.C.Chen	REV.	A1
UNIT : mm	TOLERANCE OTHERWISE	UP TO 5	±0.2	APPROVAL	SCALE	DATE	09-11-2018
		ABOVE 5~30	±0.3			PAGE	1 OF 1
		ABOVE 30	±0.5				
		ANGLE	±3°				